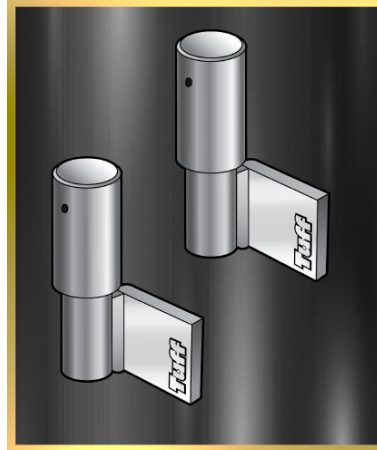
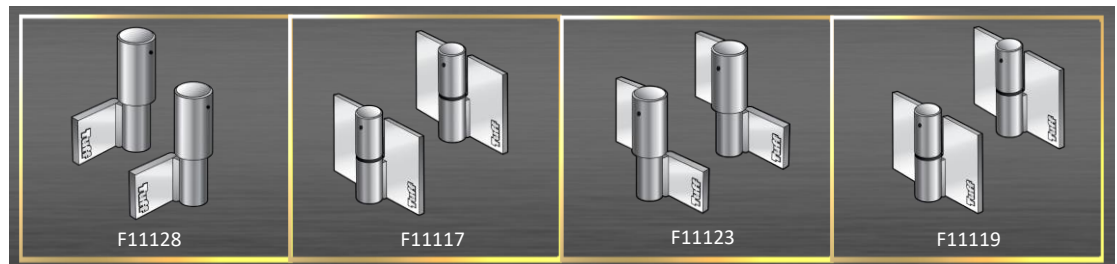


F11129**BALL BEARING HINGE – TU5 (RIGHT HAND)**

PRODUCT CODE	: F11129
BARCODE	: 9314691111299
BUSH DIAMETER	: 25MM
PIN DIAMETER	: 19MM
MADE FROM	: 5MM STEEL
FINISHING	: ZINC PLATED

RELATED PRODUCTS**NOTES:**

- SUITABLE FOR STEEL TO STEEL DESIGN AND SPECIFICALLY DESIGNED FOR VERTICAL APPLICATION
- MAXIMUM LOAD OF 500KG PER PAIR (SUBJECT TO METHOD OF FIXING)
- HINGE INDEPENDENTLY (FAILURE) TESTED AND RECORDED AT 2898 NEWTONS (MAXIMUM LOAD)
- EXTRA TOUGH DOUBLE WELDED CONSTRUCTION WITH EASY ACTION BALL BEARING PIVOT THAT ENABLE EFFORTLESS GATE MOVEMENT
- SMALL PIN ENABLES WELDING TO FLAT SURFACE
- AVAILABLE IN BOTH LEFT AND RIGHT HAND DESIGNS. TO SELECT LH AND RH HINGE, VIEW FROM INSIDE OF FENCE AREA
- SAND BLASTED PRIOR TO ZINC PLATING, TO PROVIDE LONG TERM CORROSION PROTECTION